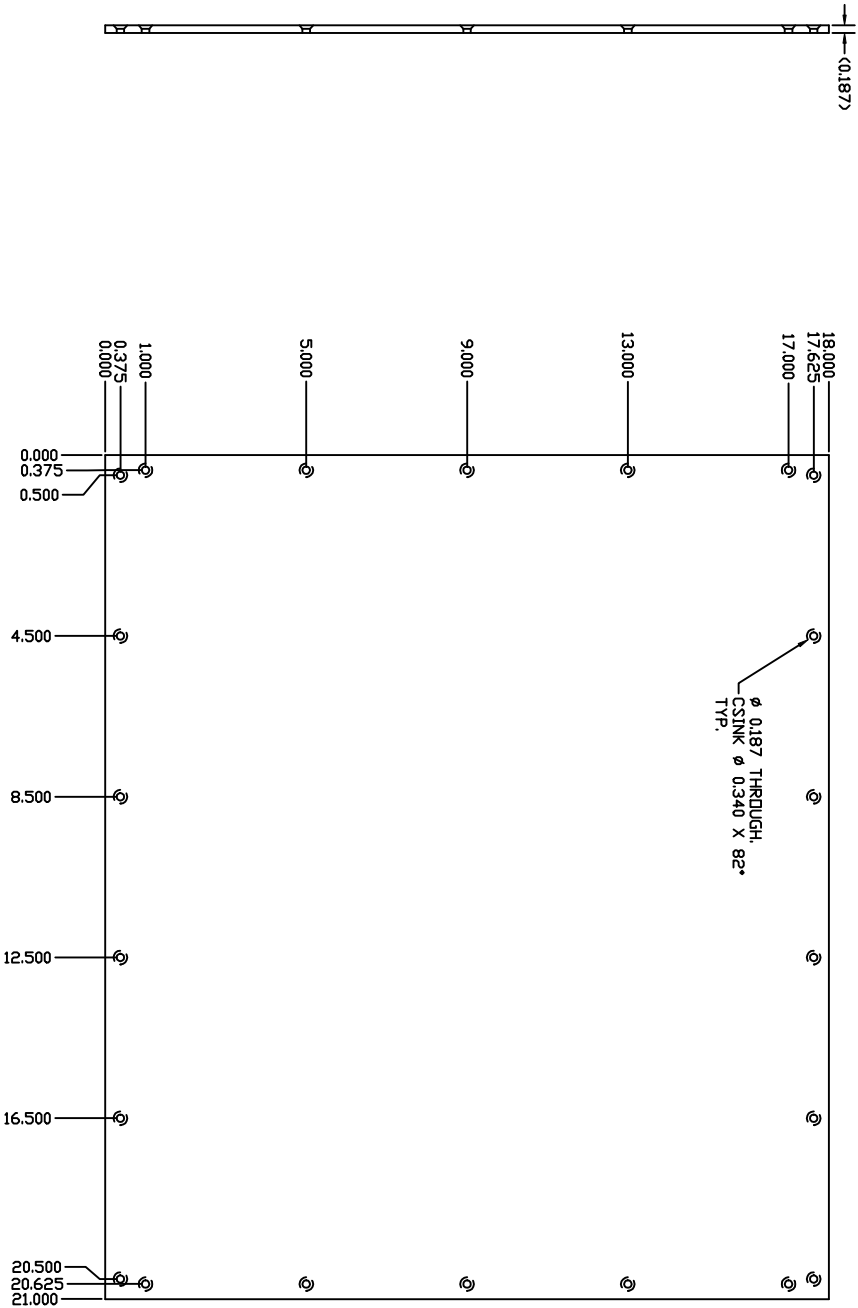


| REV. | DESCRIPTION | DATE |
|------|-------------|------|
| | | |
| | | |

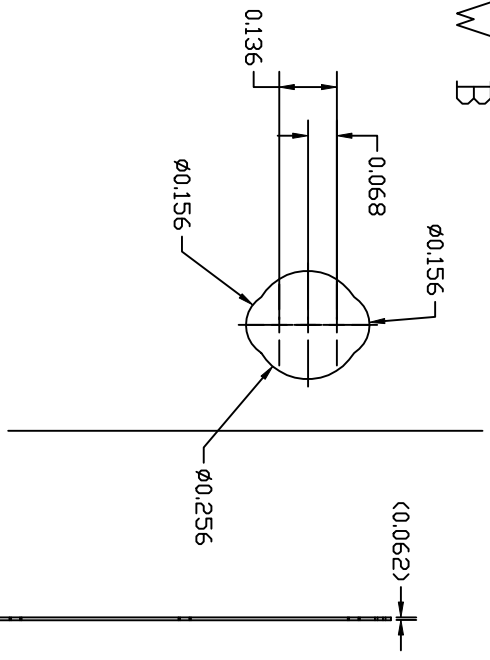


| | | | | |
|--|--|-------------------------------------|-------------|---------|
| UNLESS OTHERWISE SPECIFIED DIMENSIONS ARE IN INCHES TOLERANCES ARE: X=±.03 ANGLES=0° 30" XX=±.01 XXX=±.005 | | TITLE | SIGNATURE | DATE |
| FINISH: | | DR. | MIKE CURTIS | 5/30/02 |
| MATERIAL: | | CHK. | | |
| | | APP. | | |
| | | TITLE | | |
| 4.0 CL/TI 18X21 BOARD PLT. S1 | | TEST CONNECTIONS INC. UPLAND, CA | | |

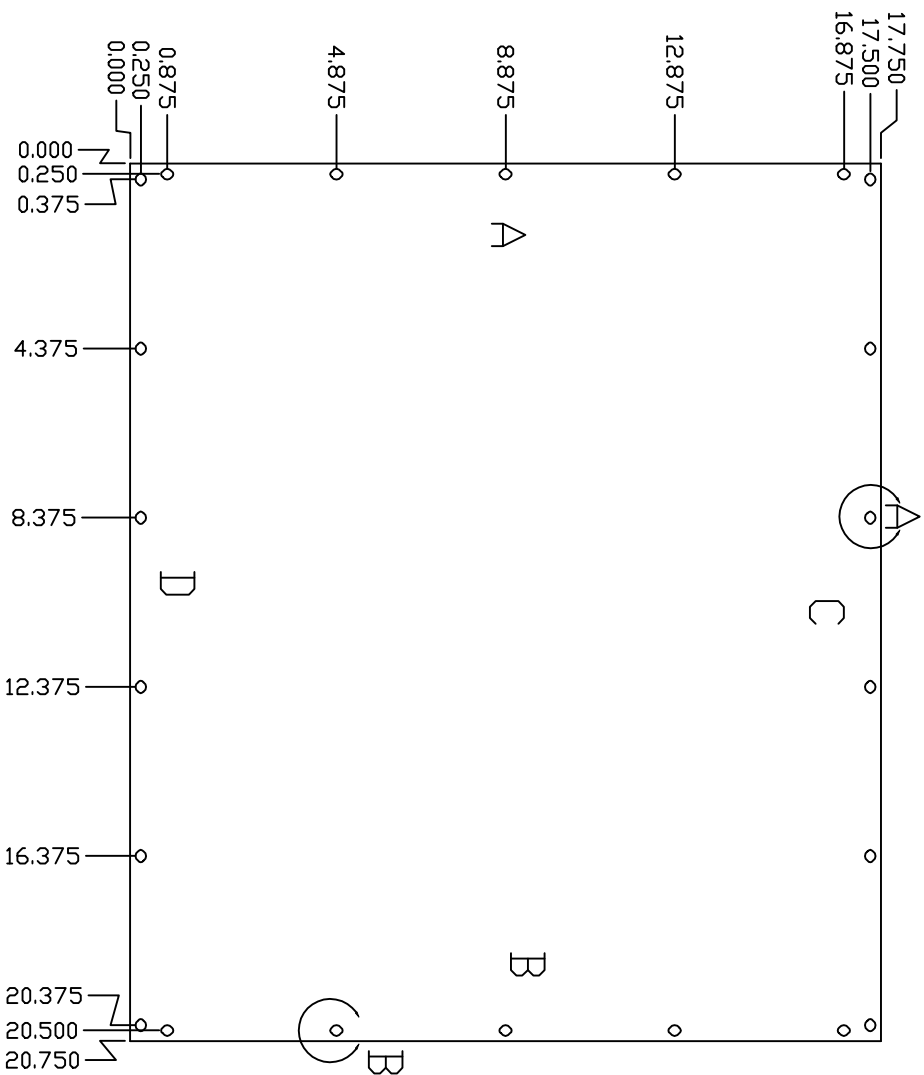
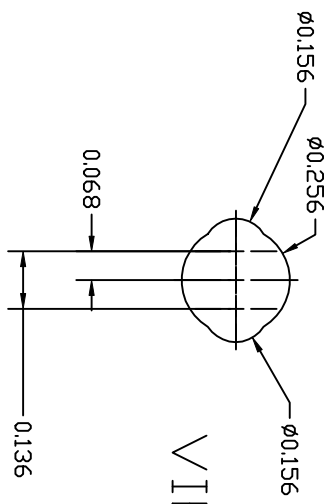
NOTES:
(UNLESS SPECIFIED)

| | | |
|-------|-------------------------|--------|
| SIZE | DWG NO. | REV |
| A | 4.0 CLTI 18X21 BOARD S1 | |
| SCALE | NONE | SHEET |
| | | 1 OF 4 |

VIEW B



VIEW A



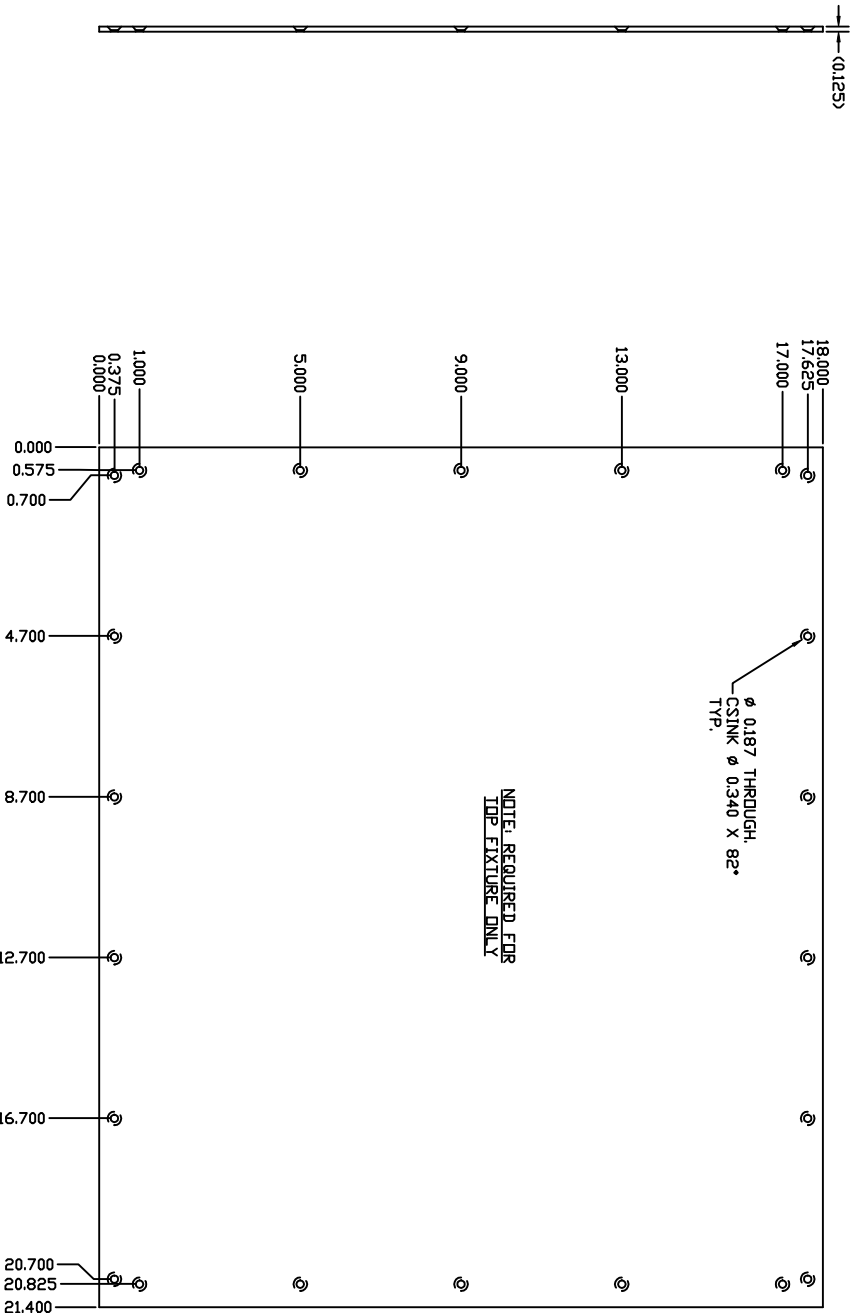
1. THE ORIENTATION OF SIDES "A" AND "B" ARE SHOWN IN VIEW B. ORIENTATION OF SIDES "C" AND "D" ARE SHOWN IN VIEW A.

NOTES:
(UNLESS SPECIFIED)

| REV. | DESCRIPTION | DATE |
|------|-------------|------|
| | | |
| | | |

| | | | | | |
|--|--|--------------------------|-----------|--------------------------|-------------------------------------|
| UNLESS OTHERWISE SPECIFIED DIMENSIONS ARE IN INCHES TOLERANCES ARE: X=±.03 ANGLES=0°-30°. XX=±.01 .XXX=±.005 FINISH: | | TITLE | SIGNATURE | DATE | TEST CONNECTIONS INC. UPLAND, CA |
| DR. MIKE CURTIS | | CHK: | APP. | 5/30/02 | |
| MATERIAL: | | LEXAN | | TITLE | |
| SIZE | | DWG NO. | | 4.0 CL/TTI 18X21 1P S2-7 | |
| SCALE | | NONE | | SHEET | |
| A | | 4.0 CL/TTI 18X21 1P S2-7 | | REV | |
| NONE | | SHEET | | 2 OF 4 | |

| REV. | DESCRIPTION | DATE |
|------|-------------|------|
| | | |
| | | |



| | | | |
|--|-----------|-------------|---------|
| UNLESS OTHERWISE SPECIFIED DIMENSIONS ARE IN INCHES TOLERANCES ARE: X=±.03 ANGLES=0° 30" XX=±.01 XXX=±.005 | TITLE | SIGNATURE | DATE |
| | DR. | MIKE CURTIS | 5/30/02 |
| | CHK. | | |
| FINISH: | MATERIAL: | APP. | |
| TEST CONNECTIONS INC. UPLAND, CA | | | |
| 4.0 CL/TTL 18X21 TOP GRID S8 | | | |

NOTES:
(UNLESS SPECIFIED)

| | | |
|-------|-----------------------------|--------------|
| SIZE | DWG NO. | REV |
| A | 4.0 CLTTL 18X21 TOP GRID S8 | |
| SCALE | NONE | SHEET 4 OF 4 |